

# MODEL 280 MODEL 281

## General Purpose Relays

- For industrial grade applications
- High reliability
- Long life



### DESCRIPTION

The Model 280 and 281 General Purpose Plug-in Relays are heavy duty, high quality relays available at a competitive price. UL recognized and CSA approved, the Model 280 and 281 have a long life of over ten million mechanical operations. Model 280 and 281 relays are available in a variety of AC and DC voltages. Model 280 is a DPDT 8 pin relay and the Model 281 is a 3PDT 11 pin relay.

### COIL RATINGS

Rated voltage		Rated current (mA) + 15% @ 68°F		Maximum continuous applied voltage @ 68°F	Minimum operate voltage @ 68°F
		60Hz	50Hz		
AC	24	105	121	110% of rated voltage without overheating	80% of rated voltage
	120	18	21		
	240	10.5	12.5		
DC	12	120			
	24	60			
	110	13.5			

### SPECIFICATIONS

Model	280-xxx and 281-xxx
Contact material	Silver (AG)
Operating voltages	12, 24, 110VDC; 24, 120, 240VAC
Operate time	25ms maximum
Release time	25ms maximum
Power consumption	AC: Approx. 2.5VA (60Hz) DC: Approx. 1.5W
Insulation resistance	100 megohm minimum (measured w/ DC500V megger)
Dielectric strength	Between live and non-live parts: 2,000VAC, 1 min. Between contact circuit and operating coil: 2,000VAC, 1 min. (1000V, 1 min. between contacts of same polarity)
Frequency response	1,800 operations/hour
Temperature rise	Coil: 185°F max. Contact: 149°F max.
Vibration resistance	0 to 6g (55Hz maximum)
Shock resistance	10g minimum
Life expectancy	Electrical: Over 500,000 operations (AC 210V, 50/60Hz, 10A) Mechanical: Over 10,000,000 operations
Contact ratings	<b>CSA Rated/Nominal Rating:</b> Resistive: 120VAC, 10A 240VAC, 10A 30VDC, 10A Inductive: 120VAC, 7.5A 240VAC, 7A 30VDC, 7A 110VDC, 5A  <b>UL Rated:</b> Resistive: 240VAC, 10A 30VDC, 10A Inductive: 240VAC, 7A 30VDC, 7A
Horsepower rating	120VAC: 1/4 hp 240VAC: 1/3 hp
Operating Temp	-22° to +158° F
Agency approval	UL Recognized and CSA Certified



# MODEL 280 MODEL 281

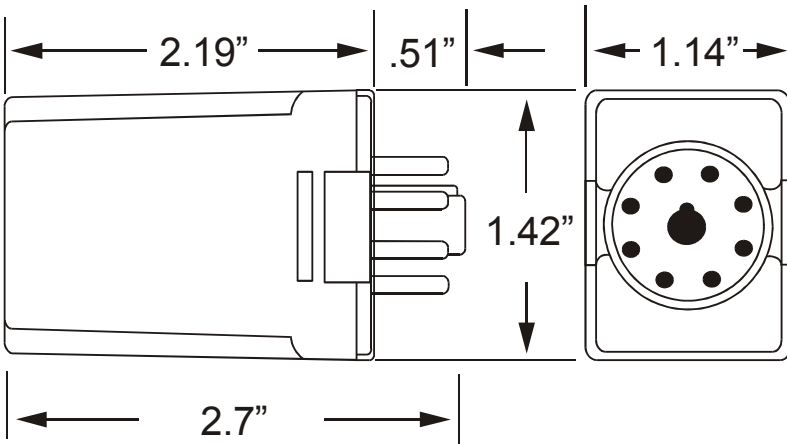
## General Purpose Relays

READ ALL INSTRUCTIONS BEFORE INSTALLING, OPERATING OR SERVICING THIS DEVICE.  
KEEP THIS DATA SHEET FOR FUTURE REFERENCE.

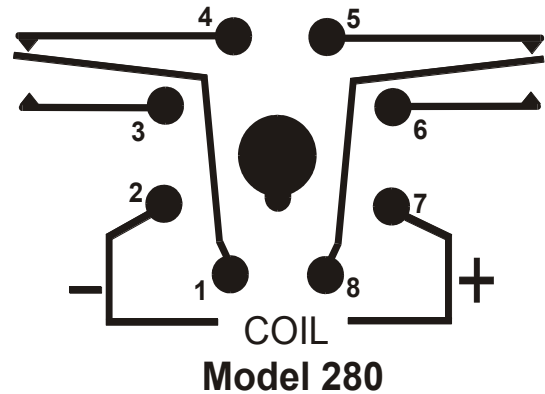
### GENERAL SAFETY

POTENTIALLY HAZARDOUS VOLTAGES ARE PRESENT AT THE TERMINALS OF THE MODEL 280 & 281.  
ALL ELECTRICAL POWER SHOULD BE REMOVED WHEN CONNECTING OR DISCONNECTING WIRING.  
THIS DEVICE SHOULD BE INSTALLED AND SERVICED BY QUALIFIED PERSONNEL.

#### MODEL 280 DIMENSIONS

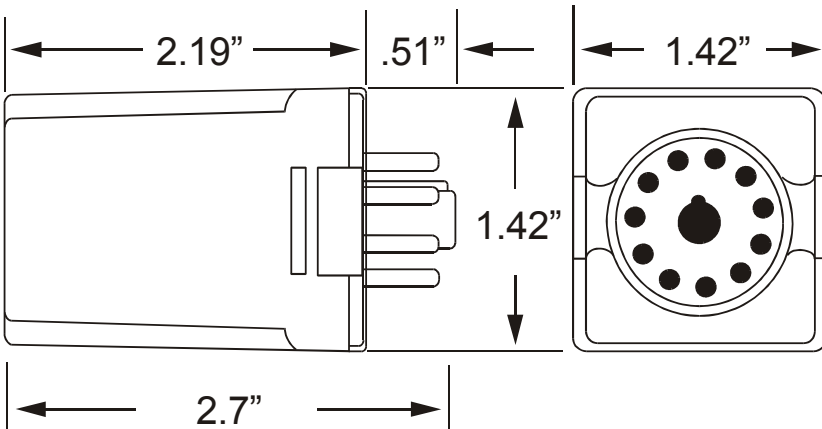


#### PIN DRAWING

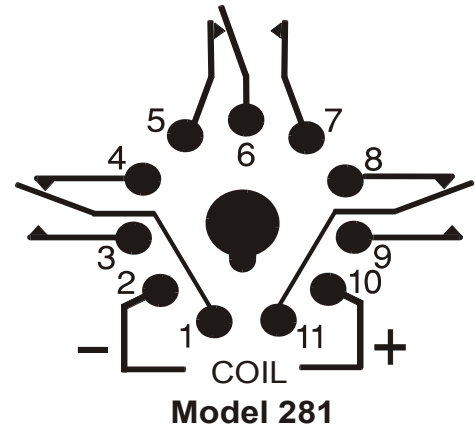


ALL MODELS SHOWN WITH NO POWER APPLIED

#### MODEL 281 DIMENSIONS



#### PIN DRAWING



### WARRANTY

This product is warranted to be free from defects in materials and workmanship for one year. Should this device fail to operate, we will repair it for one year from the date of manufacture. For complete warranty details, see the *Terms and Conditions of Sales* page in the front section of the Time Mark catalog or contact Time Mark at 1-800-862-2875.



**TIME MARK**  
CORPORATION

11/2011  
© 2011 TIME MARK CORPORATION

TIME MARK is a division of  AEMT, Inc.